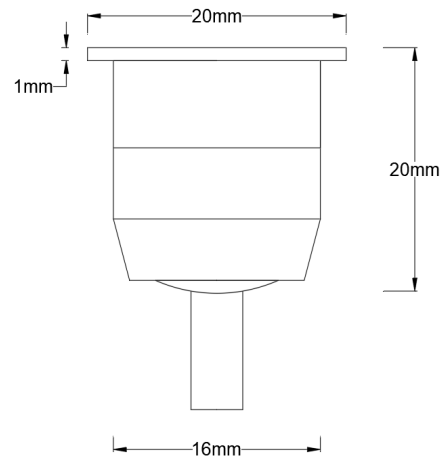


TD020-BLK

Deck Light



Product Data

Voltage:	24 Volt DC Constant Voltage	
Wattage:	0.8 Watts	
IP Rating:	IP65	
Colour Temperature:	2700k	TD020 -BLK-2700k
	Warm White - 3000k	TD020 -BLK-WW
	Natural White - 4000k	TD020 -BLK-NW
	Cool White - 5500k	TD020 -BLK-W
Faceplate:	20mm	
Material:	6063 anodised black aluminium	
Lamp Life:	30,000 Hours	
Lumen Output: (White LED)	85 Lumens	
Cut-out:	16mm	
Warranty:	2 Years	

Disclaimer: While every care has been taken with the details of these products, Specialised LED Products Ltd accepts no responsibility for any inaccuracies. Specialised LED Products Ltd reserves the right to change the specifications without notice to continually ensure you receive a superior product.

innovative lighting solutions

