

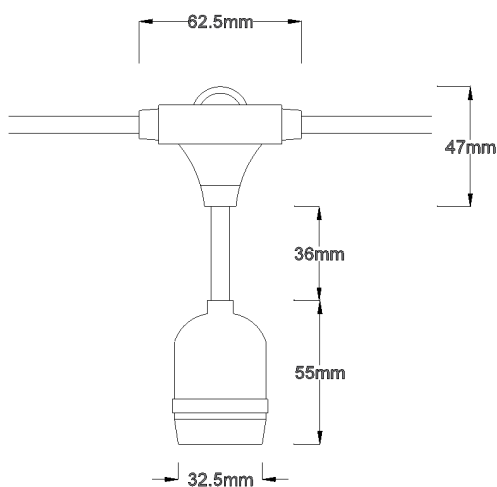
FEST-SL-2

Festoon String with On/Off Switch



Product Data

Length per string:	15m
Maximum Length:	Linkable up to 90m (Six strings)
IP Rating:	IP65
Lamp Holder:	E27
Lamp Intervals:	1m spacings
On/ Off Switch:	Quick connect inline IP65 rocker switch
Material:	UV Stabilised Rubber coated cable
Warranty:	2 Years



Disclaimer: While every care has been taken with the details of these products, Specialised LED Products Ltd accepts no responsibility for any inaccuracies. Specialised LED Products Ltd reserves the right to change the specifications without notice to continually ensure you receive a superior product.

innovative lighting solutions

