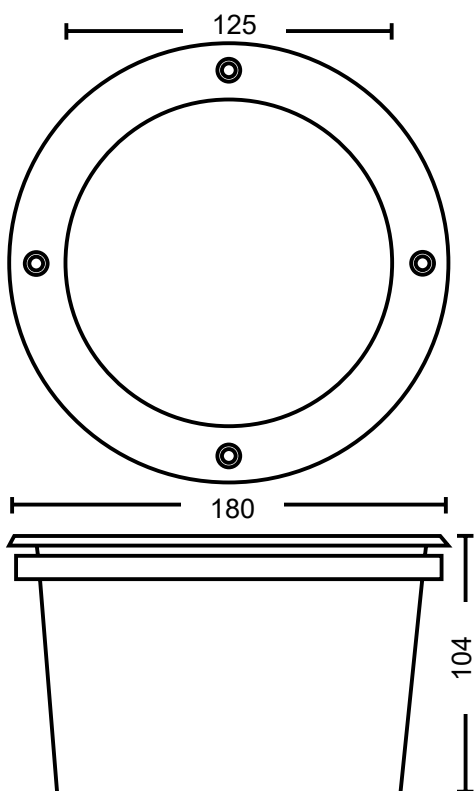


RGBW Inground Lights



IGWP-2-24-18-25 RGBW
18W RGBW Inground with 25° beam angle

IGWP-2-24-18-45 RGBW
18W RGBW Inground with 45° beam angle

IP67, 24V DC

Cree 3W Quad chip LEDs

Mixing Distance: 100mm to uniform light

Control system: 5 wire controller

Stainless steel rim, Anodised aluminium alloy 6063 body & PVC form tube

Lens: Tempered glass

LED Lifespan: 30,000 hours

Weight: 1.5kg

The Synergy Series RGBW-W-RC receiver is designed to be used with RGBW inground lighting and is compatible with all of the Synergy series RGBW remotes.



If you can dream it there's a Specialised LED Products solution that will give you the tools you need to create it. If we don't already have it, we will source it. If it doesn't already exist, we will create it.



— www.sled.co.nz
— sales@sled.co.nz
— 021 22 444 92 • 09 420 3160

Disclaimer: While every care has been taken with the details of these products, Specialised LED Products Ltd accepts no responsibility for any inaccuracies. Specialised LED Products Ltd reserves the right to change the specifications without notice to continually ensure you receive a superior product.

colour your world