

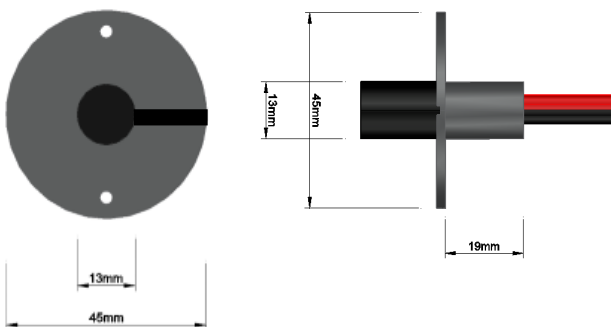
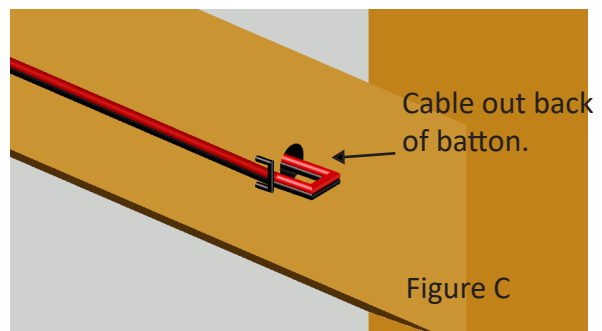
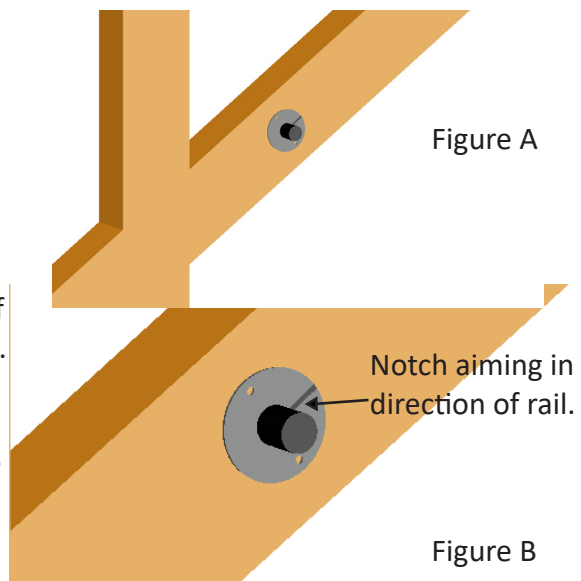
Pre Wire:

Drill 14mm hole through the mounting batten at the correct height and position for the power feed end of the handrail, and install the Power adaptor Fig: A

Aim the line marked on the faceplate of the power adaptor Fig: B in the direction and angle of the finished hand rail will go, and screw to batten.

The power adaptor is supplied with 3 meter power feed cable and this is to be run back to the power supply, an extension to the cable can be done providing the loading of the handrail is calculated for in cable selection. Do not pull the cable tight at the power adaptor end allow for 25mm movement Fig: C

Please tape Page 2 over the top of the power adaptor once this has been done for the plaster board installer.



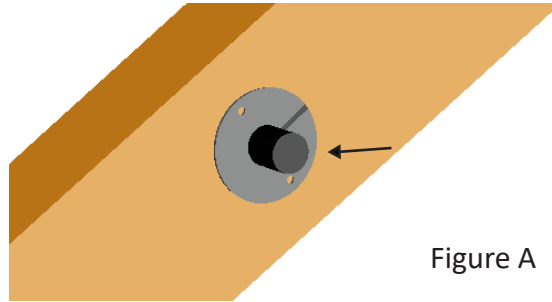
www.sled.co.nz • sales@sled.co.nz • 09 420 3160

innovative lighting solutions



Plaster Board Installation Instructions:

Drill 16mm hole and slide plaster board over the power adaptor tube Fig: A,
Please take care not to Damage the tube.
Electrical equipment inside, attach plaster Board.
Please reattach this note over tube once plaster board has been installed.



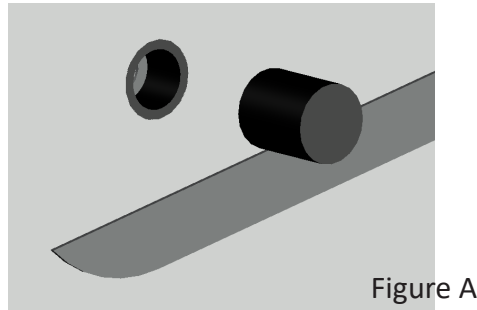
Plaster Stoppers:

Please take care to stop around tube, Do not to Damage tube electrical equipment inside.
Please reattach this note over tube once plaster board has been installed.

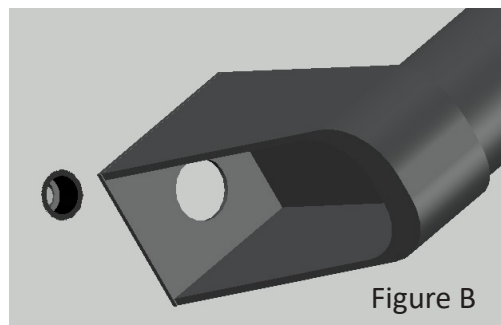
Painters:

Please take not to Damage the tube when painting, electrical equipment inside.

Cut off the tube from the power adaptor flush with the wall Fig: A



Identify power end of hand rail, line hole drilled in the base of the power end mounting bracket over the power adaptor cut tube Fig: B



Push the magnetic adaptor in the mounting bracket through the hole in the base, and into the power adaptor tube (they will automatically connect correctly if the tube has not been damaged when plaster board is installed, plastering or painting processes were done).

Fix the mounting brackets to the wall, as well as any middle brackets (for lengths over 1.2metres).

Connect the power supply for the handrail and turn on and test, then insert mounting bracket cover plates Fig: C.

