

Fibre Optic Light Engines & Cable

FO-07-W

DMX Light engine and twinkle wheel

1 x 5W, 12V DC (adaptor supplied),

White LED

Twinkle Pattern, DMX Control

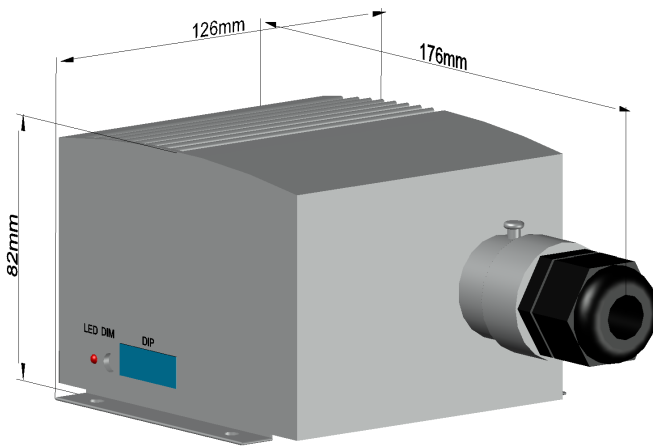
Pre-Set Program:

Aperature: 18mm

Max Fibre: 12mm @ 0.75mm

L: 176 x W: 126 x H: 82mm

Weight: 2.0kg



*If you can dream it, there's a
Specialised LED Products' solution
that will give you the tools you
need to create it.*

*If we don't already have it,
we will source it.*

*If it doesn't already exist,
we will create it.*

Disclaimer: While every care has been taken with the details of these products, Specialised LED Products Ltd accepts no responsibility for any inaccuracies. Specialised LED Products Ltd reserves the right to change the specifications without notice to continually ensure you receive a superior product.

Specialised LED Products
Limited

— www.sled.co.nz

— sales@sled.co.nz

— 021 22 444 92 • 09 420 3160

colour your world