

Inground Light with Form-tube



IGWP-1-24-03-45

Single Colour 3W IP67 Inground

24V DC

1 x 3-n-1 Cree 3W LED

45° beam angle

LED colours: White & Warm White

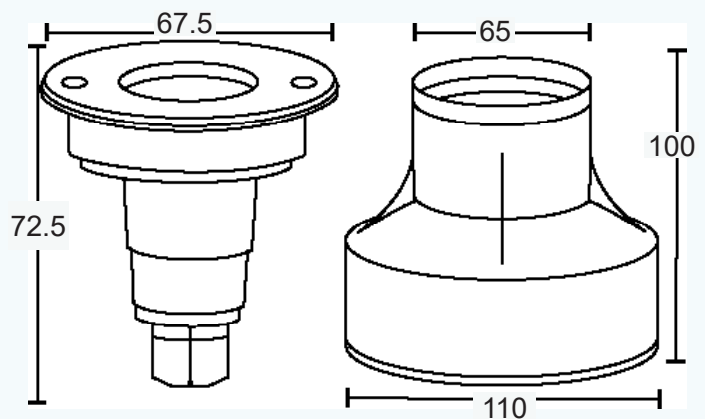
Mixing distance: 50mm to uniform light

Housing: 316 s/steel rim & PVC form tube

Lens: Tempered glass

LED Lifespan: 30,000 hours

Weight: 0.3kg



*If you can dream it there's a Specialised LED Products solution that will give you the tools you need to create it.
If we don't already have it, we will source it. If it doesn't already exist, we will create it.*



— www.sled.co.nz
— sales@sled.co.nz
— 021 22 444 92 • 09 420 3160

Disclaimer: While every care has been taken with the details of these products, Specialised LED Products Ltd accepts no responsibility for any inaccuracies. Specialised LED Products Ltd reserves the right to change the specifications without notice to continually ensure you receive a superior product.

colour your world