

# TR24-200DC-IS



## Transformer: Industrial Pack

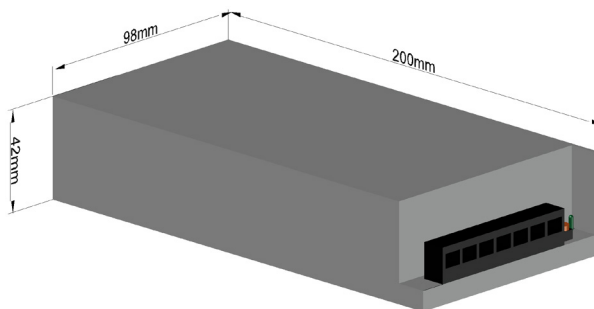
Input Voltage:	240 Volts
Output Voltage:	24 Volts DC
Wattage:	200 Watts
Output Continuous (Max):	160 Watts
Output Current Continuous (Max):	8 Amps
Standards Approval:	AS/NZS CISPR 15: 2006
IP Rating:	IP20
Dimensions:	200mm x 98mm x 42mm

Internal overload protection

Input Fuse: Replaceable glass.

For maximum life of the transformer only use up to 80% loading.

Warranty:	2 years
-----------	---------



sales@sled.co.nz · sled.co.nz · 09 420 3160

***Innovative Lighting Solutions***

Disclaimer: While every care has been taken with the details of these products, Specialised LED Products Ltd accepts no responsibility for any inaccuracies. Specialised LED Products Ltd reserves the right to change the specifications without notice to continually ensure you receive a superior product.

**Specialised LED Products**  
Limited